

VITE

BULLONERIA

CERNIERA

BRACCIO METALLICO

RUOTA, DADO, ROTAIA E RONDELLA

- Ⓐ $\phi 3.5 \times 60$ 8Pcs+1
- Ⓑ $\phi 3.5 \times 40$ 36Pcs+1
- Ⓒ $\phi 3.5 \times 35$ 24Pcs+1
- Ⓓ $\phi 3.5 \times 25$ 4Pcs+1
- Ⓔ $\phi 3 \times 18$ 16Pcs+1

- Ⓕ M6x50 4Pcs

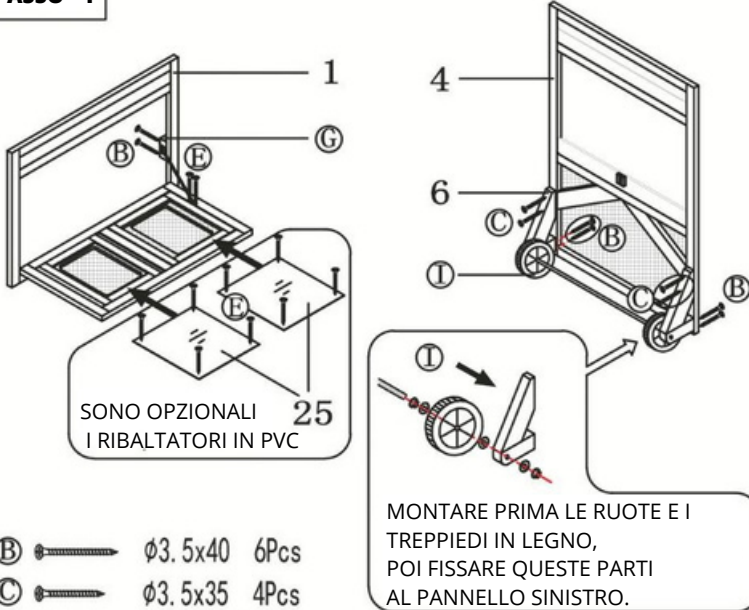
- Ⓖ 1Pc

- Ⓗ 1Pc

- Ⓘ 1Pcs

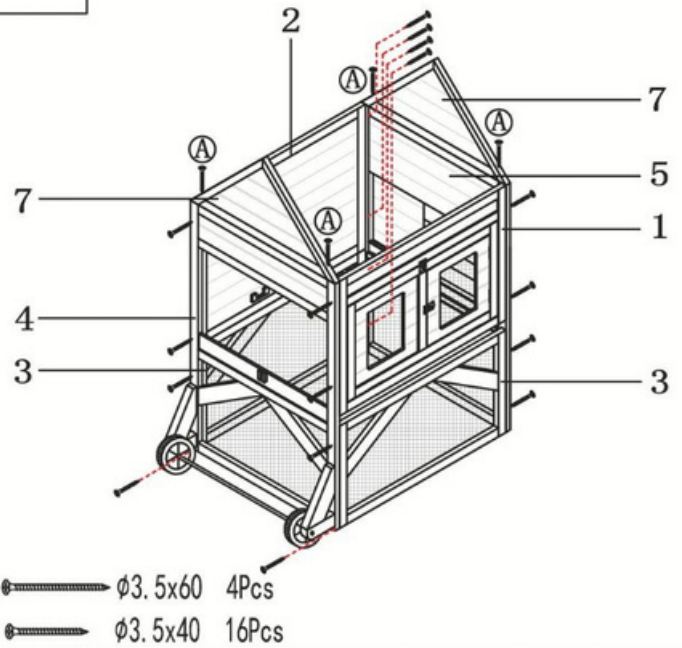
1	2	3 2Pcs	4	5
6	7 2Pcs	8	9	10
11	12	13	14	15
16	17	18	19	20 2Pcs
21	22 2Pcs	23	24 2Pcs	25 2Pcs

PASSO - 1



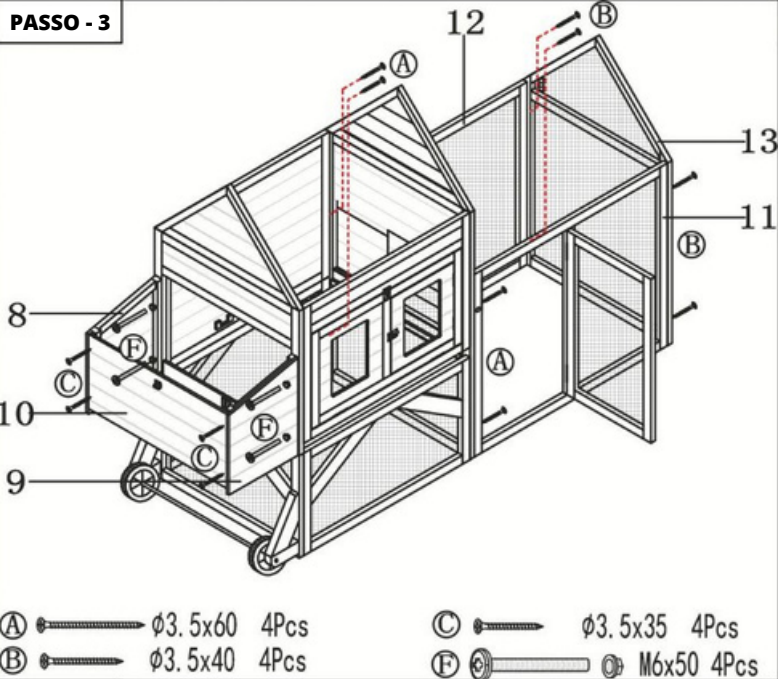
- ⓑ — $\phi 3.5 \times 40$ 6Pcs
- ⓒ — $\phi 3.5 \times 35$ 4Pcs
- ⓔ — $\phi 3 \times 18$ 10Pcs

PASSO - 2



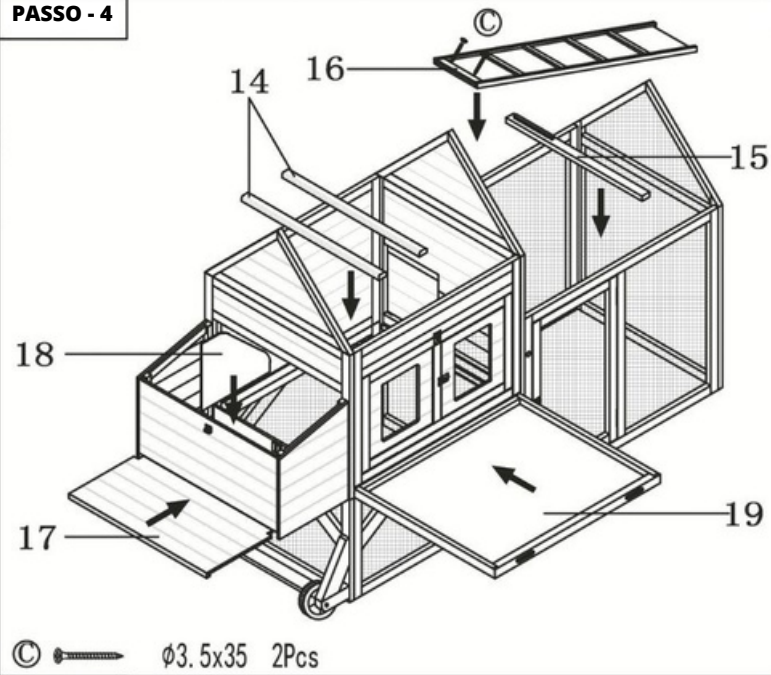
- ⓐ — $\phi 3.5 \times 60$ 4Pcs
- ⓑ — $\phi 3.5 \times 40$ 16Pcs

PASSO - 3



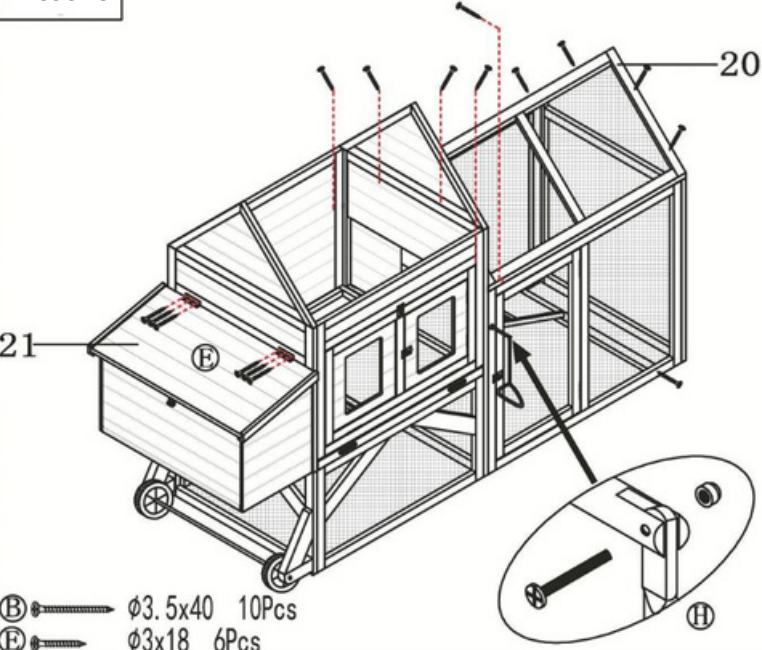
- ⓐ — $\phi 3.5 \times 60$ 4Pcs
- ⓑ — $\phi 3.5 \times 40$ 4Pcs
- ⓒ — $\phi 3.5 \times 35$ 4Pcs
- ⓕ — M6x50 4Pcs

PASSO - 4



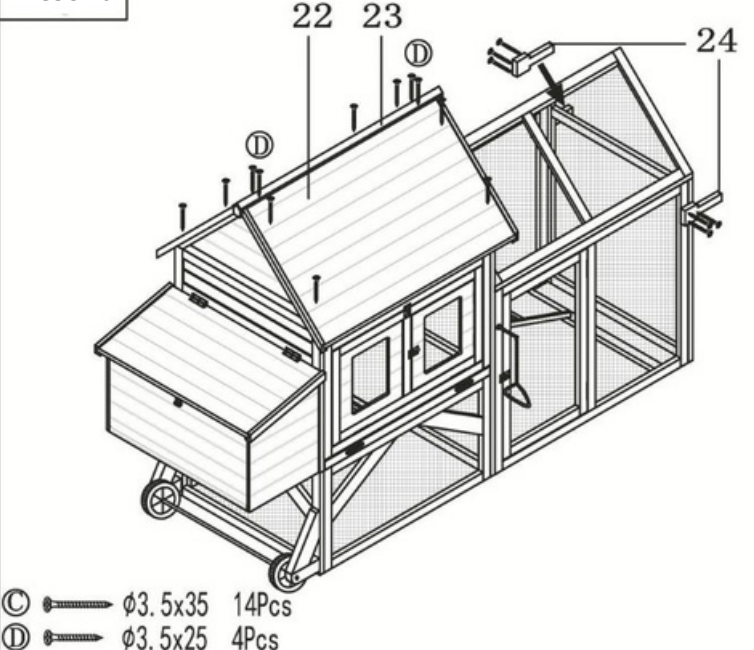
- ⓒ — $\phi 3.5 \times 35$ 2Pcs

PASSO - 5



- ⓑ — $\phi 3.5 \times 40$ 10Pcs
- ⓔ — $\phi 3 \times 18$ 6Pcs

PASSO - 6



- ⓒ — $\phi 3.5 \times 35$ 14Pcs
- ⓓ — $\phi 3.5 \times 25$ 4Pcs