

VITE

- ① $\phi 3.5 \times 70$ 18Pcs
- ② $\phi 3.5 \times 60$ 31Pcs
- ③ $\phi 3.5 \times 35$ 19Pcs
- ④ $\phi 3.5 \times 25$ 29Pcs
- ⑤ $\phi 3 \times 20$ 7Pcs

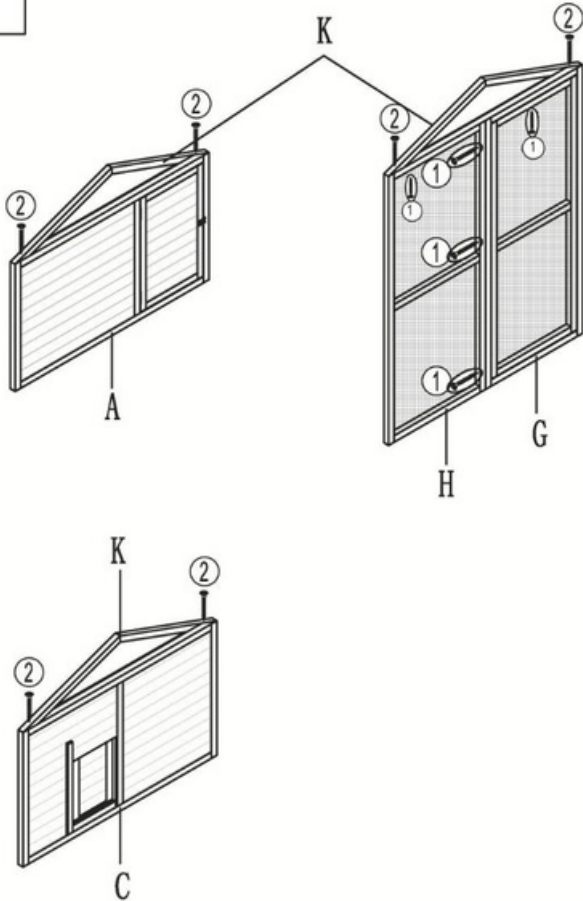
BULLONI E DADI

- ⑥ $M6 \times 55$ 4Pcs
- ⑦ $M6 \times 65$ 4Pcs



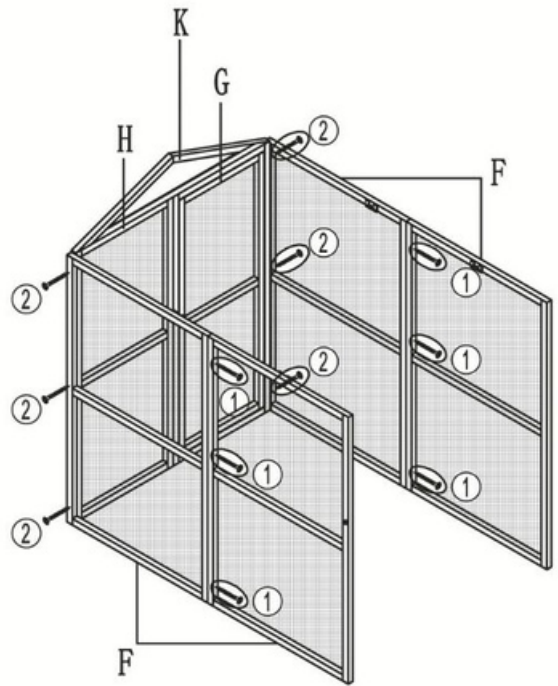
A	B	C	D	E	F x 4
G	H	I	J	K x 3	L x 2
M	N	O	P	Q	R
S	T x 2	U x 2	V x 2	W x 4	

PASSO-1



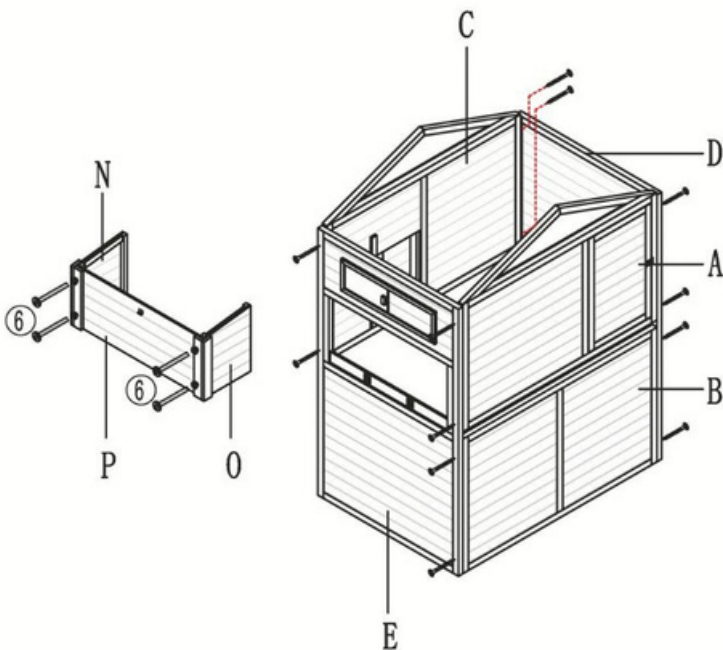
- ① $\phi 3.5 \times 70$ 5Pcs
- ② $\phi 3.5 \times 60$ 6Pcs

PASSO-2



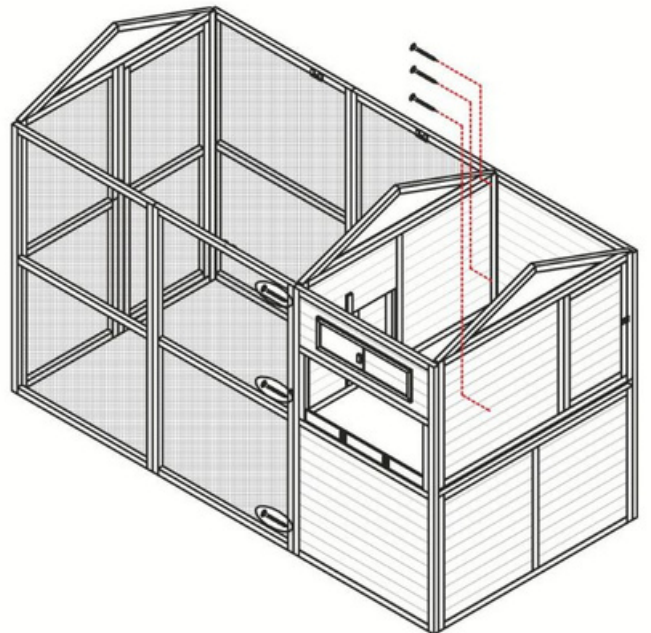
- ① $\phi 3.5 \times 70$ 6Pcs
- ② $\phi 3.5 \times 60$ 6Pcs

PASSO-3



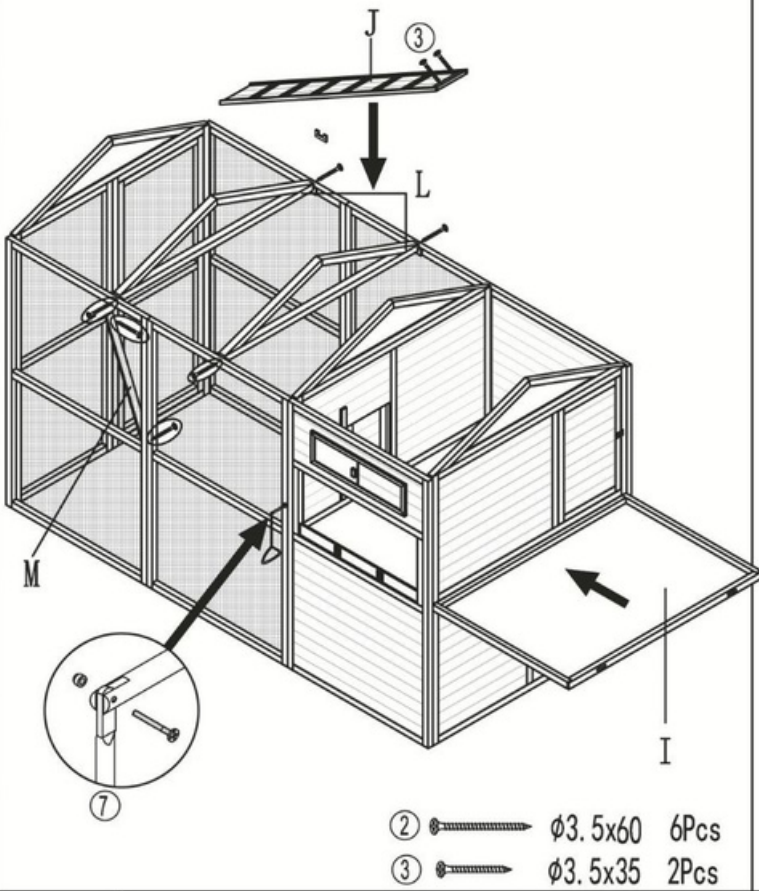
- ① $\phi 3.5 \times 60$ 12Pcs
- ⑥ $M6 \times 55$ 4Pcs

PASSO-4

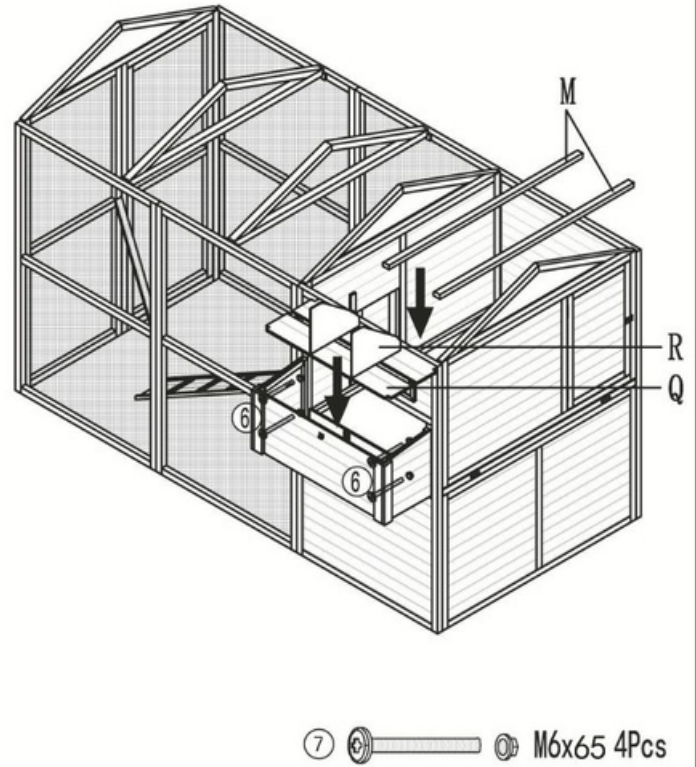


- ① $\phi 3.5 \times 70$ 6Pcs

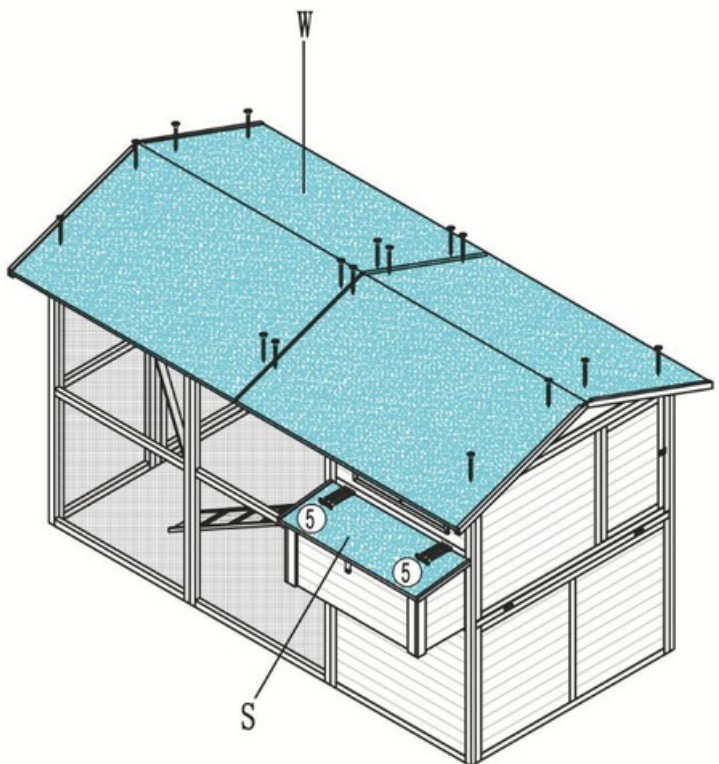
PASSO-5



PASSO-6



PASSO-7



PASSO-8

