

SCREW

- Ⓐ $\phi 3.5 \times 60$ 8Pcs+1
- Ⓑ $\phi 3.5 \times 40$ 36Pcs+1
- Ⓒ $\phi 3.5 \times 35$ 24Pcs+1
- Ⓓ $\phi 3.5 \times 25$ 4Pcs+1
- Ⓔ $\phi 3 \times 18$ 16Pcs+1

BOLTS AND NUTS

- Ⓕ M6x50 4Pcs

HINGE

- Ⓖ 1Pc

METAL ARM

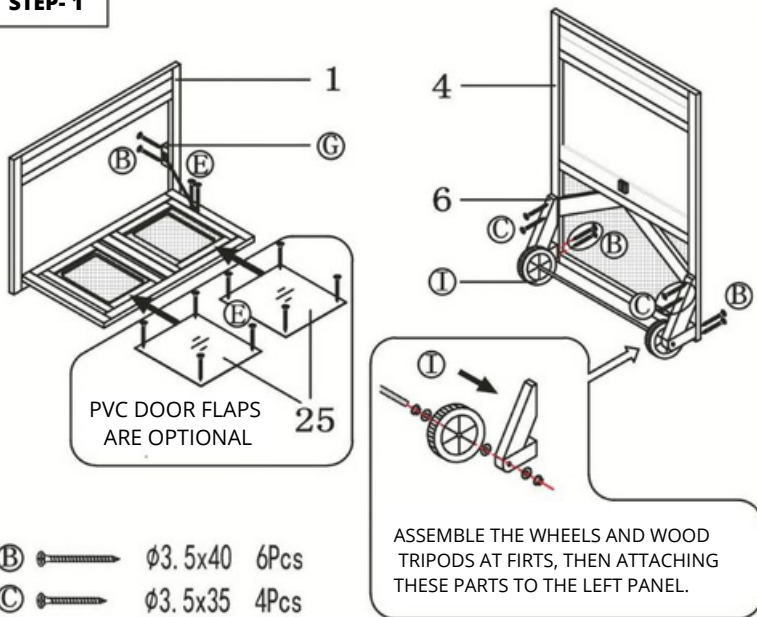
- Ⓗ 1Pc

WHEEL, NUT, RAIL E WASHER

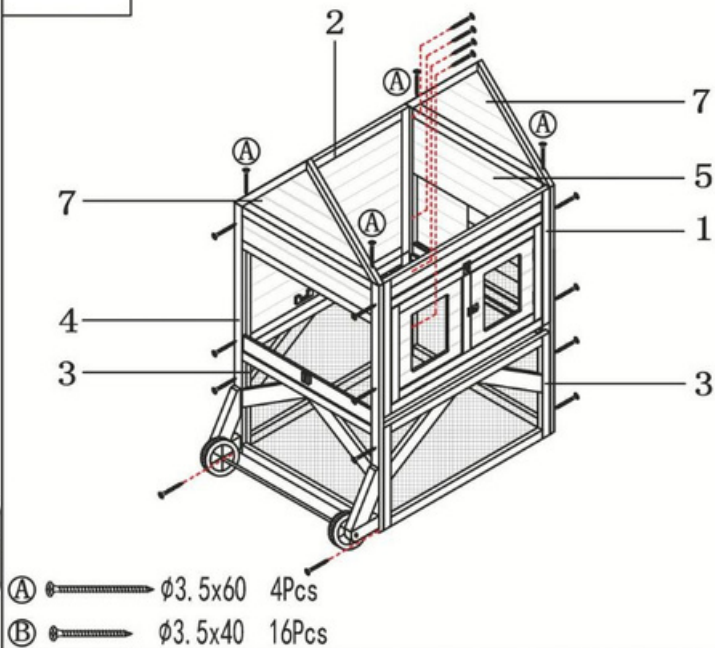
- Ⓘ 1Pcs

1 	2 	3 2Pcs	4 	5
6 	7 2Pcs	8 	9 	10
11 	12 	13 	14 	15
16 	17 	18 	19 	20 2Pcs
21 	22 2Pcs	23 	24 2Pcs	25 2Pcs

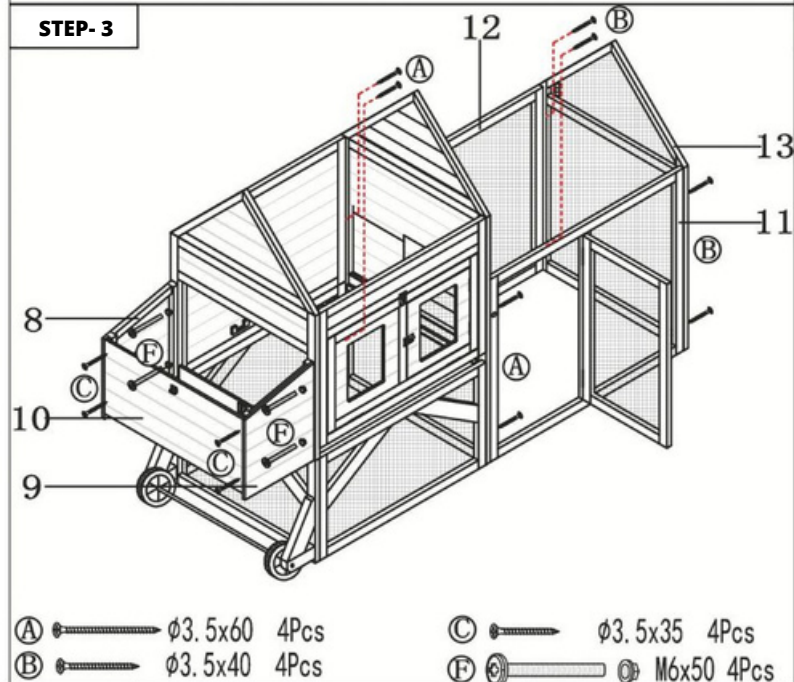
STEP-1



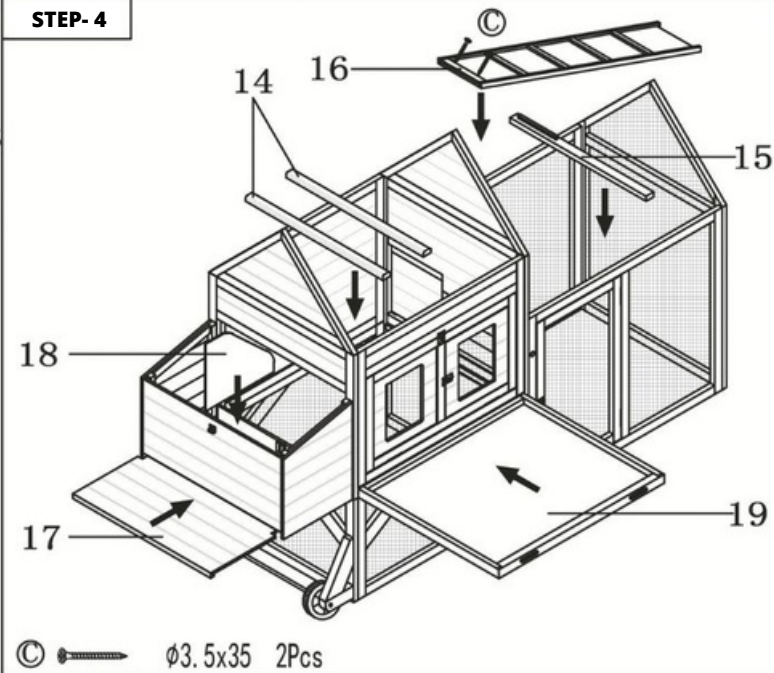
STEP-2



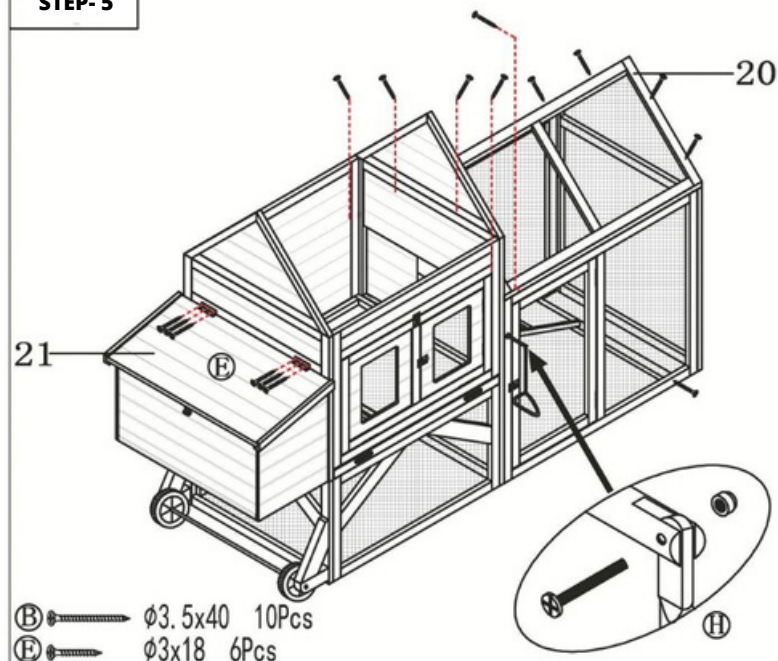
STEP-3



STEP-4



STEP-5



STEP-6

