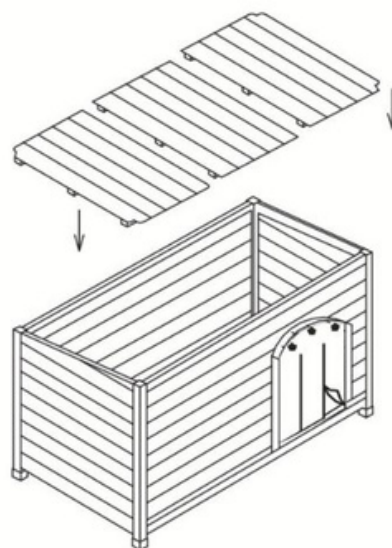
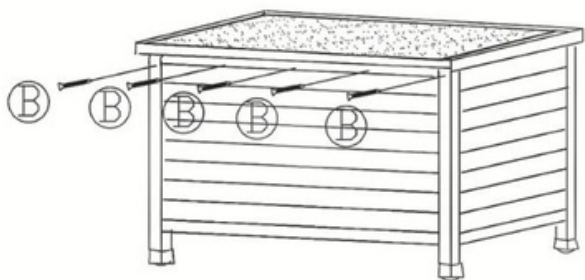


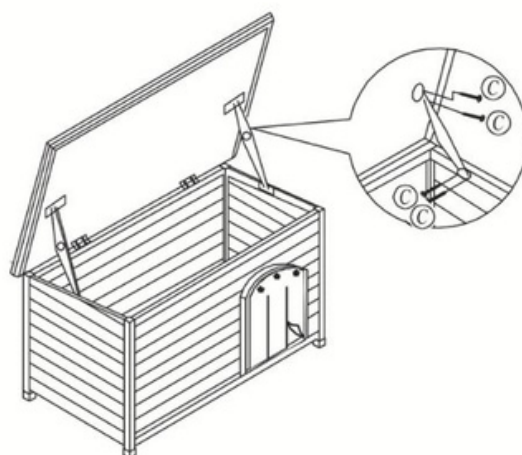
1. Attach the side panels to the front and back panels using 12x Bolt and Nut (A)



2. Place the floor panels inside



3. Install the roof using screws (B)x5



4. Attach the hinges x2 using screws (C) x 8 Finished

Important Notice:

Don't open in windy outdoors. Children should be always under supervision if they try to open the roof