

# ASSEMBLY MANUAL

## DOG HOUSE COLLIE Model



**FERRANTI**  
cucce e box per animali

**Dear Customer,**

Thank you for purchasing a **FERRANTI** product.



OBLIGATION

Please consult this assembly manual carefully before proceeding with any operation on the product.

### INTRODUCTION

This assembly manual reflects the technique at the time of purchase and the specifications in force at the current date of edition; it contains the information necessary for correct installation, cleaning and disposal of the product at the end of its life.

**FERRANTI S.R.L.** reserves the right to make modifications, changes or improvements to the manual or to the product at any time and without notice.

**Use only the original mounting components provided.**



ATTENTION

The manufacturer is not liable for damage to property, persons and animals caused by accidents due to failure to comply with the instructions in this assembly manual.

**The images are purely indicative and do not constitute a commitment for the manufacturer and/or the Distributor.**

Any proposal by the Customer regarding improvements to be made to the product will be welcomed by **FERRANTI S.R.L.**, which will evaluate their implementation.

#### INTENDED USE (PERMITTED USE).

The product in question has been designed for the **housing and keeping of animals**.

#### IMPROPER USE (NOT PERMITTED).

Any use other than the permitted one is to be considered "**improper use**"; the Manufacturer therefore declines all responsibility for any damage caused to property, animals and/or persons.

### GENERAL DESCRIPTION

Suitable for:

- **medium sized** dogs (18-40 kg, 50-63 cm): *Golden retriever, Boxer, Collie, Labrador, Border collie.*
- **large size** dogs (20-45 kg, 50-70 cm): *German Shepherd, Dalmatian, Female Dobermann, English Setter, Akita Inu, Argentine Dogo, Czechoslovak Wolf.*

Made of marine plywood treated with impregnating agent, 1.5 cm thick, easily disinfected and washable; complete with insulated opening roof and wooden platform raised above the ground by 7 cm, removable and washable.

### OVERALL DIMENSIONS

COLLIE model		
External (WxDxH)	cm	119 x 86 x 97
Interior (WxDxH)	cm	111 x 59 x 84/70

W = Width / D = Depth / H = Height

### UNPACKING

- ▶ Place the structure near the final installation site and on a stable and horizontal area of the ground.
- ▶ Remove the packaging materials taking care not to damage the components.



**DANGER! Keep out of the reach of children and animals.**




Packaging materials (plastic bags, straps, etc.) can be a source of danger to health (e.g. suffocation).

- ▶ Divide the packaging materials according to their type and dispose of them in accordance with the provisions in force regarding the disposal of waste.



All the packaging materials are recyclable and must be disposed of in accordance with the local legislation.

### STANDARD EQUIPMENT

			1	Screws M8x30	No. 8
			2	Screws 4,8x16	No. 8
			3	Nuts M8	No. 18 approx.

### INSTALLATION



The assembly operations must be performed by at least two persons.



For the assembly of the products, the use of Personal Protective Equipment is always recommended: work gloves to protect the hands from the danger of being cut.

### RECOMMENDED TOOLS

Slotted Screwdriver - Cross Head Screwdriver - Wrench - Cutter.

**Note:** Tighten the screws completely only at the end and after checking the square of the structure.

- A** Rear wall
- B** Side wall
- C** Front wall
- D** Roof
- E** Bracket
- F** Holes prepared for roof assembly
- G** Platform

#### 1A Assembly of the rear wall to the side panels

- ▶ Take 8 screws (1) and 8 nuts (3) from the kit supplied.
- ▶ Secure the rear wall (A) to the side walls (B) using the screws (3) and nuts (3) as shown in the diagram.
- ▶ Attach the front wall (C) to the side walls (B) in the same way.

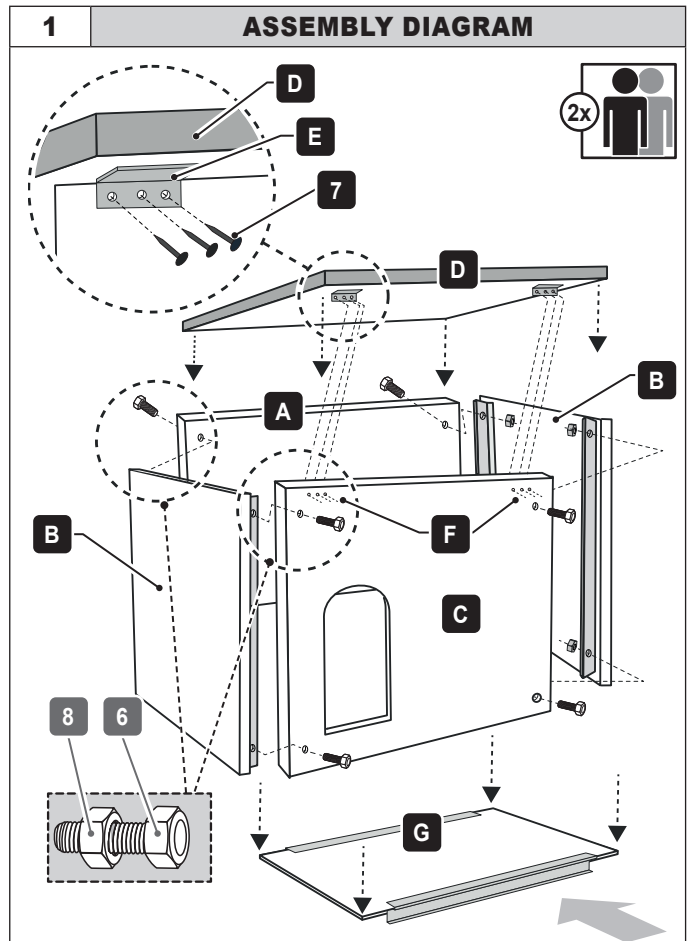
#### 1B Assembly of the Roof to the doghouse

- ▶ Take the screws (2) from the kit supplied.

- ▶ Place the roof (D) over the doghouse and line up the holes in the bracket (E) with the holes (F) on the front wall (C).
- ▶ Secure with the screws (2).

#### 1C Assembly of the platform to the doghouse

- ▶ Lift the dog house off from the roof and insert the platform (G).



### CLEANING



Clean the structure periodically (or in the presence of obvious dirt). Sanitise, disinfect and clean the inside of the kennel with suitable products that are not harmful to the health of the person and the animal.

### SCRAPPING AND DISPOSAL



The materials that compose the structure must be disposed of according to the type and procedures provided for by the legislation in force in the country of installation.

For further detailed information on the disposal of this product, contact the municipal office, the local waste disposal service or the store where it was purchased.