

ASSEMBLY MANUAL

INSULATED DOG HOUSE

Model:
LARGE - MEDIUM - SMALL



LARGE



SMALL

MEDIUM

FERRANTI
cucce e box per animali

Dear Customer,

Thank you for purchasing a **FERRANTI** product.



OBLIGATION

Please consult this assembly manual carefully before proceeding with any operation on the product.

INTRODUCTION

This assembly manual reflects the technique at the time of purchase and the specifications in force at the current date of edition; it contains the information necessary for correct installation, cleaning and disposal of the product at the end of its life.

FERRANTI S.R.L. reserves the right to make modifications, changes or improvements to the manual or to the product at any time and without notice.

Use only the original mounting components provided.



ATTENTION

The manufacturer is not liable for damage to property, persons and animals caused by accidents due to failure to comply with the instructions in this assembly manual.

The images are purely indicative and do not constitute a commitment for the manufacturer and/or the Distributor.

Any proposal by the Customer regarding improvements to be made to the product will be welcomed by **FERRANTI S.R.L.**, which will evaluate their implementation.

INTENDED USE (PERMITTED USE).

The product in question has been designed for the **housing and keeping of animals.**

- **LARGE (Mastiff model):** suitable for 45-85 kg, 55-85 cm **giant dog breeds** (such as: Great Dane, Bernese Mountain Dog, Rottweiler, Newfoundland, Male Dobermann, Irish Greyhound, Cane corso, Neapolitan Mastiff, Maremmano Sheepdog, Bull mastiff).
- **LARGE (Dobermann model):** suitable for 20-55 kg, 50-70 cm **large dog breeds** (such as: German Shepherd, Dalmatian, female Dobermann, English Setter, Akita Inu, Dogo Argentino, Czechoslovakian Wolfdog) and for 18-40 kg, 50-63 cm medium dog breeds (such as: Golden Retriever, Boxer, Collie, Labrador, Border Collie).
- **MEDIUM:** Suitable for 10-35 kg, 13-50 cm **small dog breeds** (such as: Miniature Pinscher, Beagle, Cocker, Schnauzer, Bull terrier, Dachshund).
- **SMALL:** Suitable for 1-15 kg, 22-38 cm **very small dog breeds** (such as: Chihuahua, Pug, Border Terrier).

IMPROPER USE (NOT PERMITTED).

Any use other than the permitted one is to be considered “improper use”; the Manufacturer therefore declines all responsibility for any damage caused to property, animals and/or persons.

GENERAL DESCRIPTION

► LARGE INSULATED DOG HOUSE

Model DOBERMANN / MASTIFF

- Insulated dog beds (with sloping roof) made entirely with insulating panels, 3.5 cm thick, framed with sheet metal profiles.
- Equipped with wooden bench raised from the ground by 7 cm, removable and washable; on request, with wooden bench with steel feet, which raises the entire dog house.
- The roof can be opened for easy internal inspection.
- **Dobermann dog house** entry (WxD): 30x50 cm edged with anti-bite sheet.
- **Mastiff dog house** entry (WxD): 35x55 cm edged with anti-bite sheet. This type of dog house is ideal to shelter every type of dog, durable over time, insulated and easily washable.
- On request, thermal curtain available in soft non-toxic PVC, transparent, rainproof, wind-proof and cold-proof for outdoor dog houses, 3 mm sheets, washable.
- It is used to reduce the entry of air, dirt and insects into the dog house.
- Also suitable for cats or other animals.

► MEDIUM / SMALL INSULATED DOG HOUSE

- Insulated dog houses (with horizontal roof) made entirely with insulated panels, 3.5 cm thick, framed with sheet metal profiles.
- Equipped with a wooden bench raised from the ground, removable and washable (Mod. SMALL 4 cm / Mod. MEDIUM, of 7 cm); on request with wooden bench with steel feet, which lifts the entire dog house.
- The roof can be opened for easy internal inspection.
- Dog house entry (WxD): 20x30 cm and 30x40 cm edged with anti-bite sheet. This type of dog house is the ideal shelter for any type of dog, and is durable over time, insulated and easily washable.
- On request, thermal curtain available in soft non-toxic PVC, transparent, rainproof, wind-proof and cold-proof for outdoor dog houses, 3 mm sheets, washable. It is used to reduce the entry of air, dirt and insects into the dog house.
- Also suitable for cats or other animals.

OVERALL DIMENSIONS

LARGE (Mastiff model)

External (WxDxH)	cm	131 x 121 x 107
Interior (WxDxH)	cm	119 x 96 x 94/84

LARGE (Dobermann model)

External (WxDxH)	cm	119 x 101 x 98
Interior (WxDxH)	cm	106 x 76 x 84/68

MEDIUM

External (WxDxH)	cm	96 x 76 x 79
Interior (WxDxH)	cm	83 x 63 x 68

SMALL

External (WxDxH)	cm	81 x 56 x 55
Interior (WxDxH)	cm	68 x 43 x 46

W = Width / D = Depth / H = Height

UNPACKING

- Place the structure near the final installation site and on a stable and horizontal area of the ground.
- Remove the packaging materials taking care not to damage the components.



DANGER! Keep out of the reach of children and animals.

Packaging materials (plastic bags, straps, etc.) can be a source of danger to health (e.g. suffocation).

- Divide the packaging materials according to their type and dispose of them in accordance with the provisions in force regarding the disposal of waste.



All the packaging materials are recyclable and must be disposed of in accordance with the local legislation.

STANDARD EQUIPMENT

	1	No. 8 screws M8x50
	2	No. 2 screws 6x20
	3	No. 8 M8 nuts

INSTALLATION



The assembly operations must be performed by at least two persons.



For the assembly of the products, the use of Personal Protective Equipment is always recommended: work gloves to protect the hands from the danger of being cut.

RECOMMENDED TOOLS

Slotted Screwdriver - Cross Head Screwdriver - Wrench - Cutter.

Note: Tighten the screws completely only at the end and after checking the square of the structure.

1) Assembling the sides (B) to the rear wall (A)

- ▶ Remove the screws (1) and nuts (3) from the kit supplied.
- Attach the rear wall (A) to the side walls (B).
- Attach the front wall (C) to the side walls (B) in the same way.

2) Assembling the roof

- ▶ Remove the screws (2) from the kit supplied.
- Place the roof (D) over the dog house and match the holes in the roof to the bracket (E) on the front wall (C).
- Fix both sides with the screws (2).

3) Assembling the bench

- Lift the roof from the back of the dog house and insert the bench (F).

4) Raised bench (optional)

- Place the assembled dog house (points 1 and 2 above) above the raised bench.
- Position the bench (point 3 above).

5) Finishes

- Remove the transparent protective plastic from the insulated panels (use a cutter).

CLEANING



CLEANING
Clean the structure periodically (or in the presence of obvious dirt). Sanitise, disinfect and clean the inside of the kennel with suitable products that are not harmful to the health of the person and the animal.

SCRAPPING AND DISPOSAL

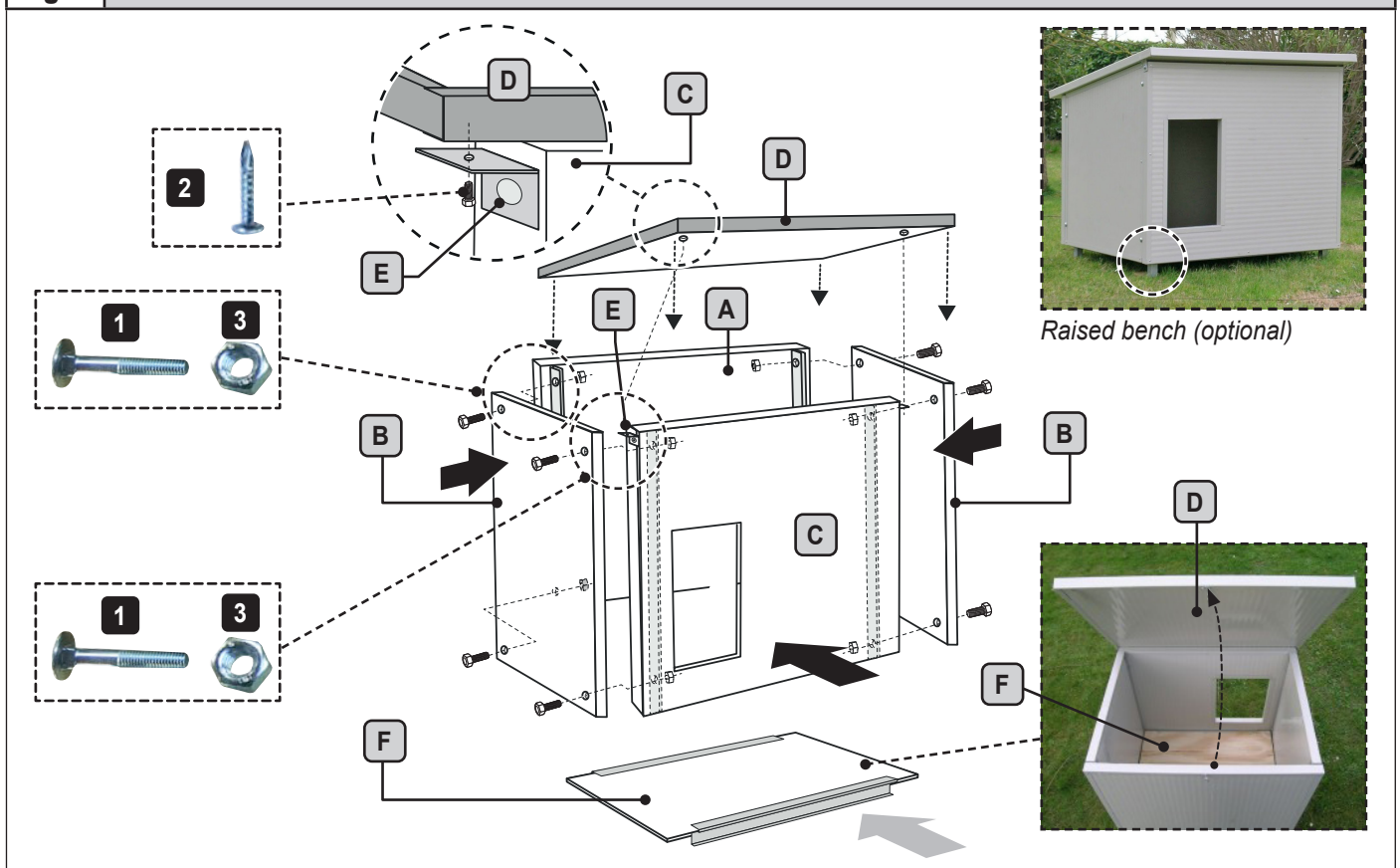


RECYCLING
The materials that compose the structure must be disposed of according to the type and procedures provided for by the legislation in force in the country of installation.

For further detailed information on the disposal of this product, contact the municipal office, the local waste disposal service or the store where it was purchased.

Fig. 1

ASSEMBLY DIAGRAM



FERRANTI
cucce e box per animali